

TABLE OF DIMENSIONS FOR STEEL

S	H	FORM NO.	A-BARS NO.	SIZE	LENGTH	FORM NO.	B-BARS NO.	SIZE	LENGTH	FORM NO.	C-BARS NO.	SIZE	LENGTH	FORM NO.	D-BARS NO.	SIZE	LENGTH
18"	11"	BRHT	1	1/2" Ø	5'-11"	BRHT	1	1/2" Ø	6'-2"	BRHT	2	1/2" Ø	4'-4"	SRM	1	1/2" Ø	2'-4"
22"	13"	BRHT	1	1/2" Ø	6'-11"	BRHT	1	1/2" Ø	7'-0"	BRHT	2	1/2" Ø	4'-4"	SRM	1	1/2" Ø	2'-4"
28"	18"	BRHT	1	1/2" Ø	8'-7"	BRHT	1	1/2" Ø	9'-10"	BRHT	2	1/2" Ø	5'-5"	SRM	1	1/2" Ø	3'-3"
36"	22"	BRHT	1	1/2" Ø	10'-5"	BRHT	1	1/2" Ø	10'-4"	BRHT	2	1/2" Ø	5'-10"	SRM	1	1/2" Ø	3'-10"
45"	27"	BRHT	1	1/2" Ø	12'-5"	BRHT	1	1/2" Ø	12'-1"	BRHT	2	1/2" Ø	6'-5"	SRM	1	1/2" Ø	4'-5"
50"	31"	BRHT	1	1/2" Ø	14'-5"	BRHT	1	1/2" Ø	13'-9"	BRHT	2	1/2" Ø	7'-0"	SRM	1	1/2" Ø	5'-0"

TABLE OF DIMENSIONS FOR CONCRETE

S	H	AREL	K	G	L	M
18"	11"	1.2	1'-1"	2'-8"	1'-7"	1'-10"
22"	13"	1.8	1'-4"	3'-0"	1'-10"	2'-1 1/2"
28"	18"	3.1	1'-4"	3'-7"	2'-4"	2'-6 1/2"
36"	22"	4.9	1'-8"	4'-2"	2'-10"	3'-3 1/2"
45"	27"	7.1	1'-9 1/2"	4'-8"	3'-4 1/2"	3'-11"
50"	31"	9.6	1'-11 1/2"	5'-4"	4'- 1/2"	4'-8"

TABLE OF QUANT. FOR TWO END WALLS

H	CLASS	% CONCRETE C.Y.	REINFORCING STEEL LBS
11"	0.66		31
13"	0.82		30
18"	1.33		42
22"	1.66		49
27"	2.33		56
31"	2.92		63

**GENERAL NOTES**

All construction shall be in accordance with the latest edition of the City of Chockasha Specifications.

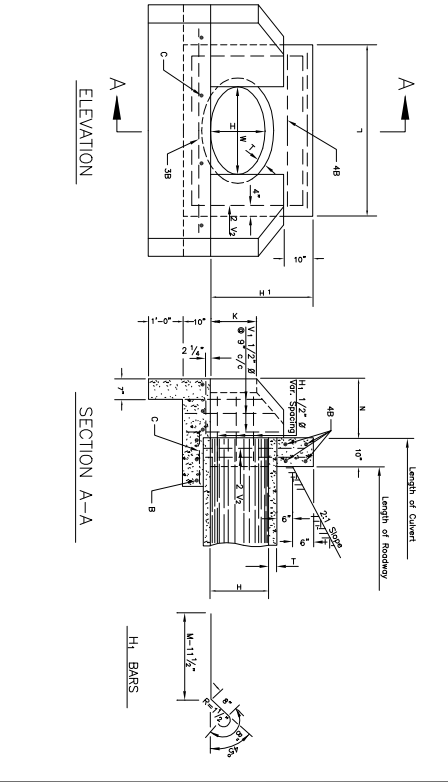
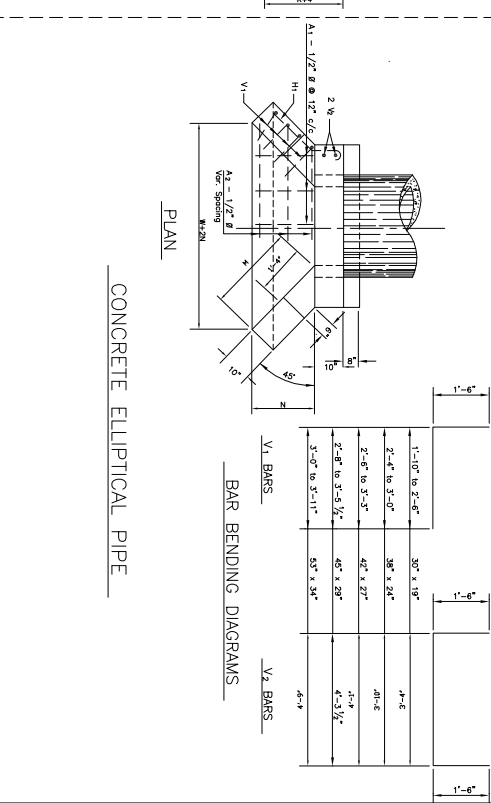
All Exposed Concrete Surfaces shall have a 3/4" chamfer.

Minimum depth of fill over Culverts shall be 1'-0".

**CONCRETE ELLIPTICAL PIPE**

**DIMENSIONS & QUANTITIES FOR HEADWALLS WITH 45° WINGS**

W	H	DIMENSIONS												REINFORCING STEEL		QUANTITY							
		T	K	L	M	N	NO. LENGTH	NO. LENGTH	NO. LENGTH	NO. LENGTH	NO. LENGTH	NO. LENGTH	NO. LENGTH	NO. LENGTH	NO. LENGTH		NO. LENGTH						
18"	11"	3 1/2	2'-10 1/2"	1'-4"	4'-10 1/2"	3'-4"	1'-4"	5	1'-4"	3	3'-6"	12	4'-6 1/2"	4	1'-4"	9	1'-10 1/2"	8	1'-10 1/2"	2	1'-10 1/2"	127	104
22"	13"	3 1/2	2'-10 1/2"	1'-4"	4'-10 1/2"	3'-4"	1'-4"	5	1'-4"	3	3'-6"	12	4'-6 1/2"	4	1'-4"	9	1'-10 1/2"	8	1'-10 1/2"	2	1'-10 1/2"	127	104
28"	18"	5 1/2	3'-0 1/2"	2'-0 1/2"	5'-8 1/2"	3'-4"	1'-4"	8	1'-10"	3	3'-6"	14	5'-2 1/2"	4	1'-4"	12	1'-10 1/2"	10	1'-10 1/2"	4	1'-10 1/2"	149	148
36"	22"	5 1/2	3'-0 1/2"	2'-0 1/2"	5'-8 1/2"	3'-4"	1'-4"	8	1'-10"	3	3'-6"	14	5'-2 1/2"	4	1'-4"	12	1'-10 1/2"	10	1'-10 1/2"	4	1'-10 1/2"	149	148
45"	27"	7 1/2	4'-0 1/2"	3'-0 1/2"	7'-2 1/2"	4'-6 1/2"	1'-4"	11	1'-10"	4	4'-0"	18	6'-4 1/2"	4	1'-4"	16	1'-10 1/2"	12	1'-10 1/2"	4	1'-10 1/2"	238	183
50"	31"	7 1/2	4'-0 1/2"	3'-0 1/2"	7'-2 1/2"	4'-6 1/2"	1'-4"	11	1'-10"	4	4'-0"	18	6'-4 1/2"	4	1'-4"	16	1'-10 1/2"	12	1'-10 1/2"	4	1'-10 1/2"	238	183



CITY OF CHOICKASHA  
COMMUNITY PLANNING & DEVELOPMENT

**CAST-IN-PLACE CONCRETE HEADWALLS FOR ELLIPTICAL OR ARCH PIPE**

APPROVED BY: \_\_\_\_\_ DATE: \_\_\_\_\_

ISSUED: \_\_\_\_\_ DATE: \_\_\_\_\_

ENG. NO. D-419